



RoHS CE FCC

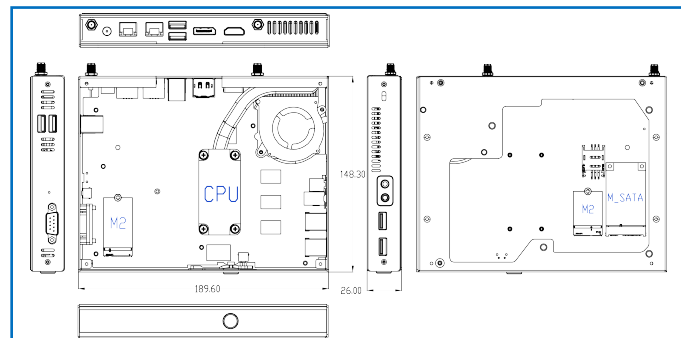
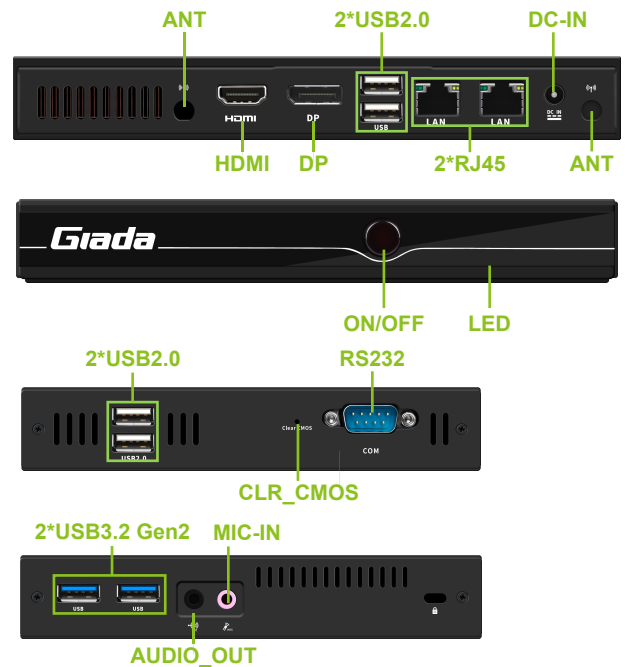
Specifications

Processor	CPU	Intel® Celeron® N5095 Processor
	Chipset	SoC
	BIOS	AMI EFI 64 Mbit
Memory	Type	LPDDR4-2666MHz
	Socket	Onboard
	Channel	2
	Size	4GB (Optional: 8GB)
Graphics	GPU	Intel® UHD Graphics
	Graphic Engine	DirectX 12.1, OpenGL 3.0, OpenCL 1.1, OpenGL ES 2.0, H.264, MPEG2
	Interface	1 x DP (Max.3840 x 2160 @60Hz) 1 x HDMI (Max.4096 x 2160 @60Hz)
Network	Controller	2 x RTL 8111H Gigabit Ethernet
	Interface	2 x RJ45
I/O	USB	2 x USB3.2 Gen2, 4 x USB2.0
	Serial Port	1 x RS232
	Audio	1 x MIC-IN, 1 x AUDIO-OUT
	Wireless	1 x E-key M.2 (2230) for WiFi/BT
	SIM Card	1 x SIM-Slot
JAHC	WatchDog Timer	0~255 Second Time Out Support
	Auto Power On	Power Activated Automatically Start
	RTC	Set Up Independently Every day
	Remote Control	Wake on LAN
Storage	Socket 1	1 x M-key M.2 (2242/2280) for SSD
	Socket 2	1 x Full-size Mini-PCIe for MSATA or 3G/4G
	Onboard	eMMC 5.1 (Optional)
Operation System Supported	Windows	Windows 10 (64bit)
	Linux	Ubuntu 18.04
Power	Power Type	DC-IN
	Power Adapter	12V/19V
Mechanical	Dimensions (W x D x H)	189.6mm x 148.3mm x 26mm (7.46" x 5.83" x 1.02")
	Construction	Metal
	Mounting	VESA Mounting JZ183
Environment	Operating Temperature	0°C~40°C (32 F~104F) @ 0.7 m/s Air Flow
	Relative Humidity	95% @ 40°C (non-condensing)
Certification		CE, FCC

Features

- Intel® Jasper Lake Processor
- 1 x DP, 1 x HDMI, Supporting 4K Display
- Onboard LPDDR4 4GB, 2 Channels (Optional: 8GB)
- 2 x RJ45
- 1 x M-key M.2 (2242/2280) for SSD
- 1 x Full-size Mini-PCIe for MSATA or 3G/4G

Dimensions and Drawing



Ordering Information

	Description
F106D-N5095G4H0G-GIA	Intel Celeron N5095, RAM:Onboard LPDDR4 4GB (Optional: 8GB)
Packing List	1 x WiFi Antenna, 1 x User manual, 1 x Drive Disk
Optional Item	VESA Mounting JZ183